

EZPCR-SMARTSCAN360



- EZ PCR Family
- Easy aggregation
- T & T solution
- Ensuring completeness & correctness

Ensuring All-round Growth

Gain 360-degree Coverage of Your Bottles With EZPCR-SMARTSCAN360

EZPCR-SMARTSCAN360

Equipped with six camera-based unique vision technology, EZPCR-SMARTSCAN360 is a solution that associates bottle 2D code with dummy code that offers complete 360-degree coverage with ease of setting. It also has a modular adjustable design for fast setup and mobility in the packing line. EZPCR-SMARTSCAN360 is capable of reading 2D codes on bottles of any shape, size, and dimension. You can even customize the software as per your business's unique requirements. It also integrates with our Smart Tracker software and third-party track & trace solutions.

EZPCR-SMARTSCAN360 Key Features

- Industrial 4.0 Compliant & CE Certified
- User-friendly software with 21 CFR part 11 compliance
- It comes with a 15-inch all-in-one IPC with a resistive touch display.
- It has a smart vision system with inbuilt light and lens for improved accuracy.
- It is capable of reading 2D codes on products of all sizes.
- It has a modular adjustable design, ensuring quick setup and improved mobility in the manufacturing line.
- The software can be customized for ease of use.
- It can easily be integrated with our Smart Tracker and other third-party track & trace solutions.
- It has a center-driven PVC belt conveyor mechanism.
- Can withstand harsh environments, ensuring better profits at all times.
- It has a sensor-less rejection technology to reject products with inaccurate labels.

Specification

EZPCR-SMARTSCAN360

EZPCR-SMARTSCAN360 is a label code association system with either outsert code or bottom printed 2D code for bottles.

Cabinet Housing

Made from SS - 304

Safety Guard

Acrylic / Polycarbonate

HMI

15" All in One IPC with Resistive touch

Vision inspection system

Smart Vision system with inbuilt light and lens

Field of view to scan 2D code

NA

Industrial Printer

TTO

Handheld scanner

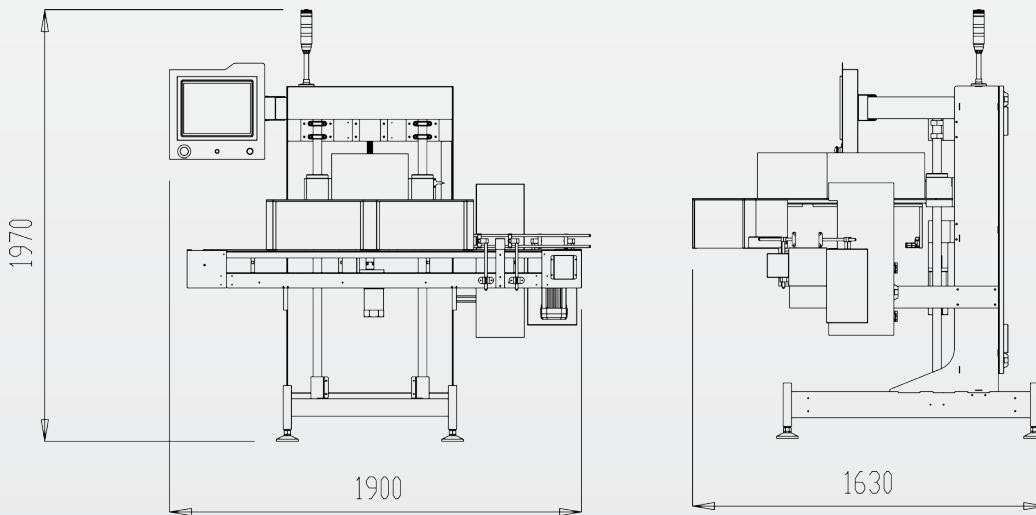
Capable to read 2D code

Machine Dimensions

1900 mm (L) x 1630mm(W) x 1970mm (H)

Power supply

230 VAC, 50 Hz



Note that all dimensions of the machine are vary according to final object's shape & size.
Company can change any dimension or design of the machine without any concern or notice.



Factory Address
Shubham Automation Pvt Ltd
Plot# 40/10, Phase-1, GIDC-Vatva,
Ahmedabad-382 445, India.

Tel: +91 79 40081156 | +91 75 75801301 / 2
sales@shubhamautomation.co.in
www.shubhamautomation.co.in